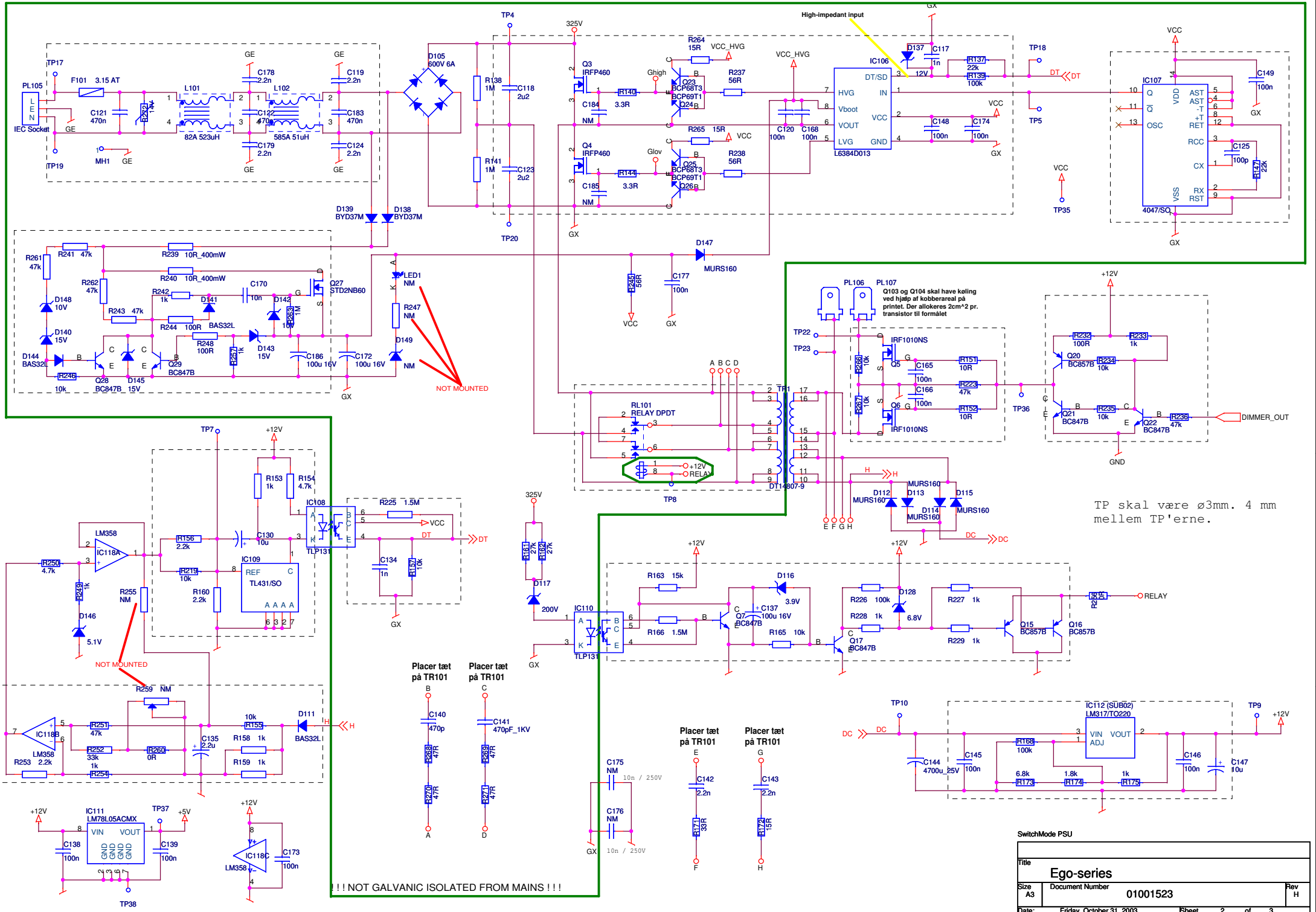


Main			
Title			
Ego-series			
Size	Document Number	Rev	
A3	01001523	H	
Date:	Friday, October 31, 2003	Sheet	1 of 3



NOT MOUNTED

NOT MOUNTED

!!! NOT GALVANIC ISOLATED FROM MAINS !!!

Placer tæt på TR101

Placer tæt på TR101

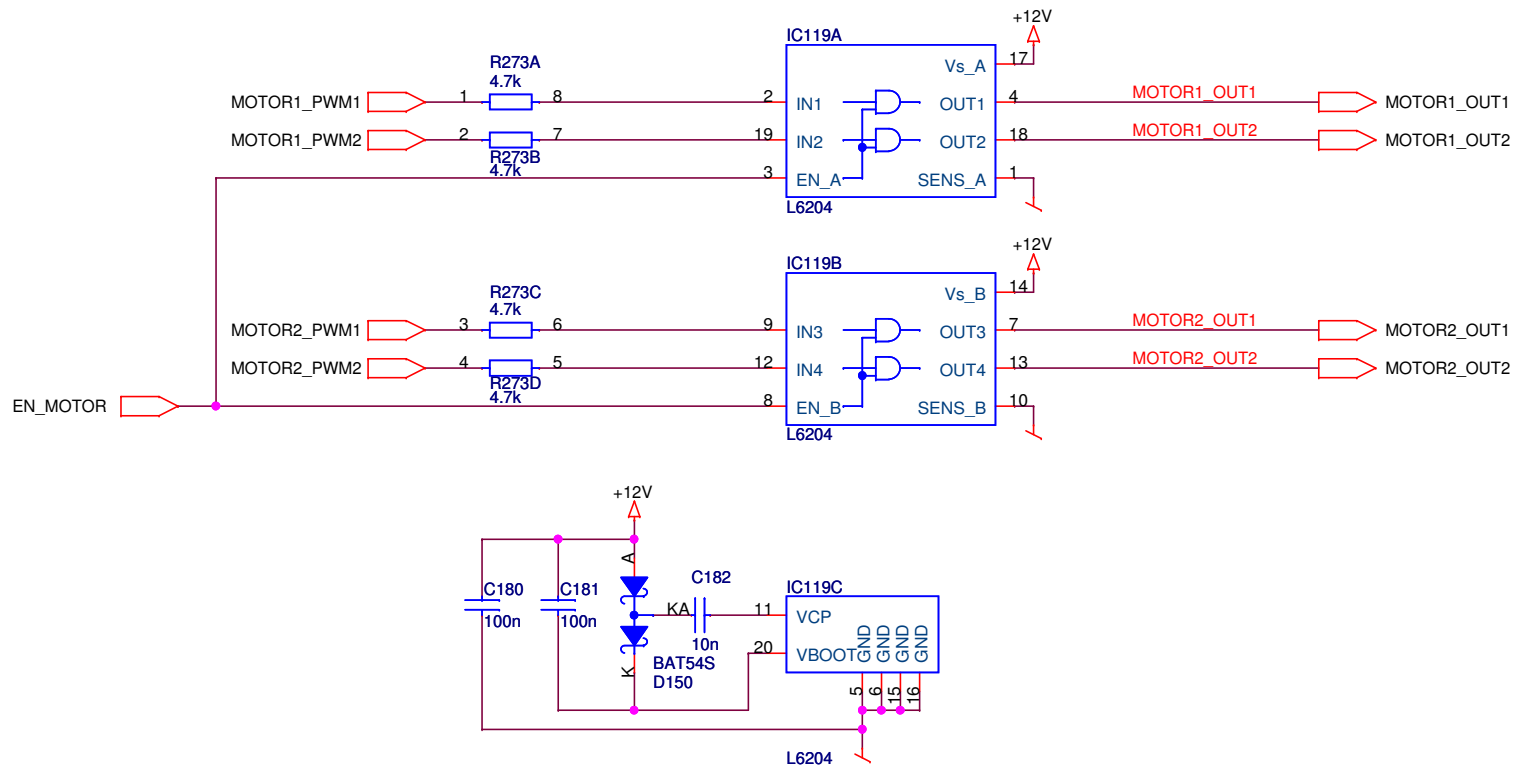
Placer tæt på TR101

Placer tæt på TR101

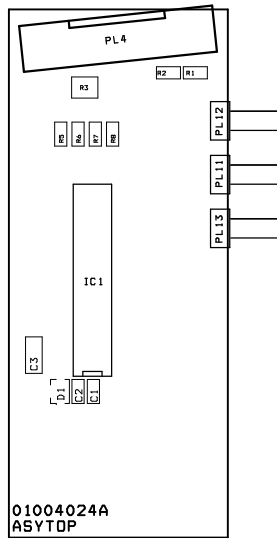
TP skal være ø3mm. 4 mm mellem TP'erne.

SwitchMode PSU

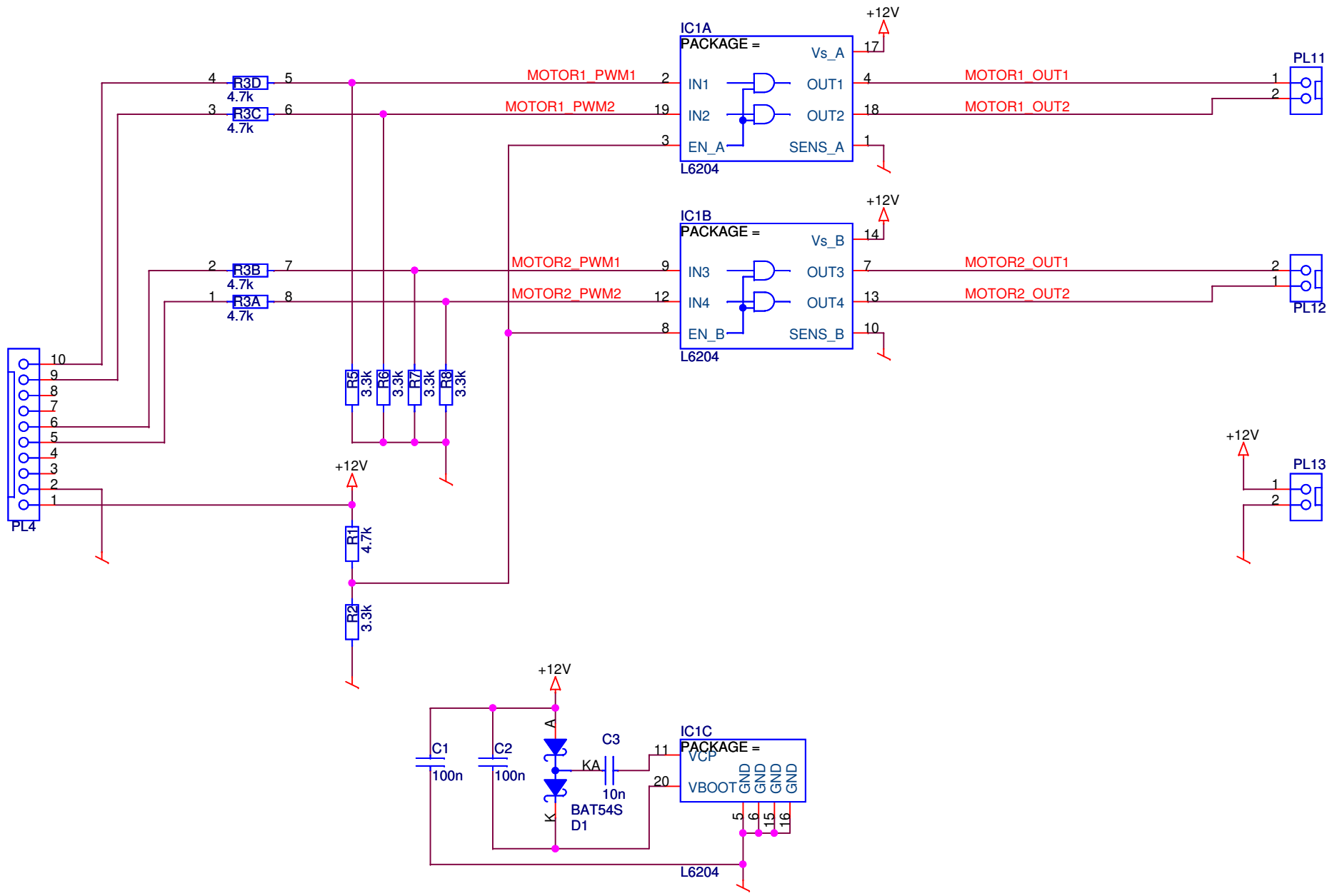
Title			Ego-series		
Size	Document Number	01001523			Rev
A3					H
Date:	Friday, October 31, 2003	Sheet	2	of	3



Martin	Project Title Ego-series		Drawn By TV
	Size A4	PCB Title EGO_MOT_DRIV	
Date: Friday, October 31, 2003		Product Baan Number 01001523	
Sheet 3 of 3			



01004024A
ASYTOP



Martin	Project Title		Drawn By
	EGO		TV
Size A	PCB Title		Rev
	MOTOR PIGGYBAG		A
Date:		Product Baan Number	
Tuesday, February 25, 2003		<Doc>	